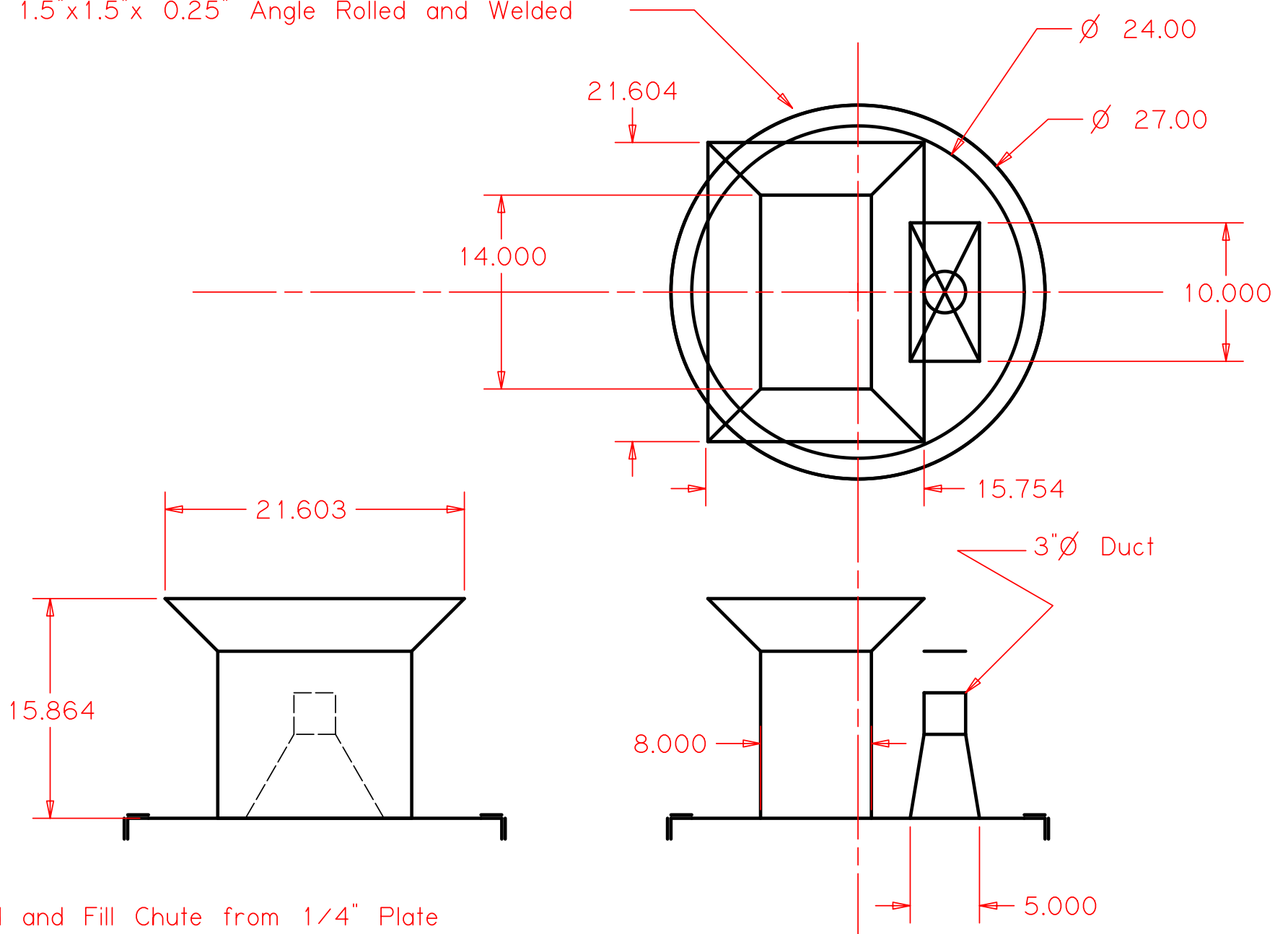


1.5"x1.5"x 0.25" Angle Rolled and Welded



Drum Lid and Fill Chute from 1/4" Plate

Air Take Up from Sheet Steel

Painted with one coat shop primer before shipment

MUST be Clamped or Welded and Secured in Field to Your 55 Gallon Drum

Intellectual Property of Gregory Black
Golden Eagle Technologies, LLC - Golden, CO